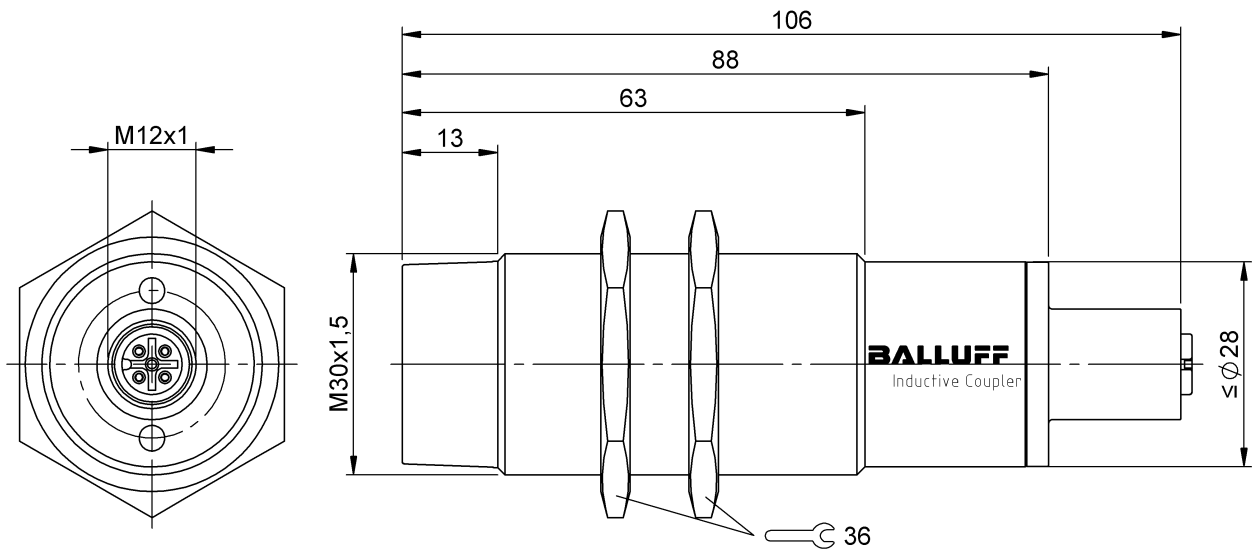


Inductive Couplers
BIC 2P0-P2A50-M30MI3-SM4A5A
 Order Code: BIC0008

BALLUFF



Basic features

Approval/Conformity	CE UKCA WEEE
Component	Remote
Function	Power only
Use	for inductive coupler base BIC0007

Display/Operation

Function indicator	yes
---------------------------	-----

Electrical connection

Connection 1	M12x1-Female, 5-pin
Connection 2	5-pin
Short-circuit protection	yes

Electrical data

Output voltage	24 VDC
Rated output current	500 mA
Ready delay tv max.	100 ms
Ripple Ua max.	100 mV
Signal type	unidirectional
Switching frequency	10 Hz
Transmission power	12 W

Environmental conditions

Ambient temperature	-5...55 °C
IP rating	IP67
Interference immunity	EN 61000-4-2/3/4/5/6

Functional safety

MTTF (40 °C)	83 a
---------------------	------

Interface

Switching output	PNP
-------------------------	-----

Material

Housing material	Nickel-plated brass, coated
Housing material, surface protection	coated
Material sensing surface	PC

Mechanical data

Dimension	Ø 30 x 107.5 mm
Installation	non-flush
Offset	±4 mm
Size	M30x1.5
Tightening torque max.	70 Nm
Tightening torque pigtail	0.6 Nm
Weight	160 g

Range/Distance

Range	0...5 mm
Transmission distance	0...5 mm

Inductive Couplers
BIC 2P0-P2A50-M30MI3-SM4A5A
Order Code: BIC0008



Remarks

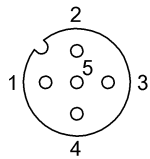
For additional information, refer to user's guide.

Order accessories separately.

For more information about MTTF and B10d see MTTF / B10d Certificate

Indication of the MTTF- / B10d value does not represent a binding composition and/or life expectancy assurance; these are simply experiential values with no warranty implications. These declared values also do not extend the expiration period for defect claims or affect it in any way.

Connector Drawings



PIN 1: +24V

PIN 3: 0V